

PRODUCT CODE: AB19G
ADAPTABLE BOX - PLAIN

DESCRIPTION

225 x 225 x 50mm (9 x 9 x 2") Adaptable Box, Plain

FINISH

Pre Galvanised

MATERIAL

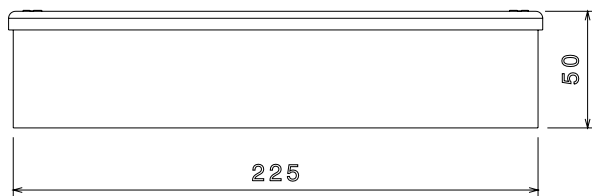
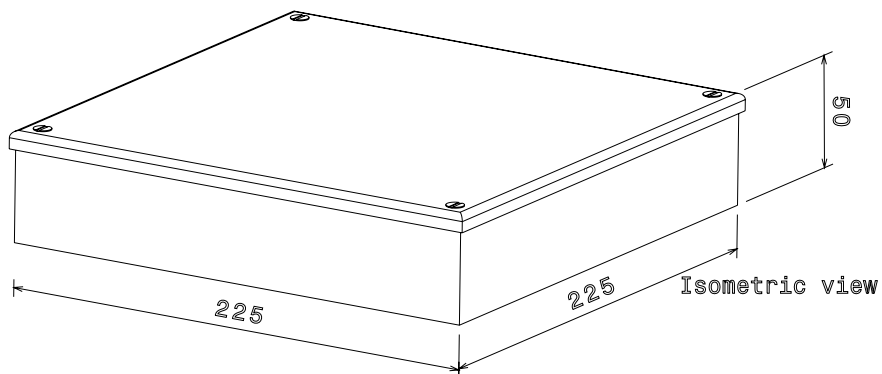
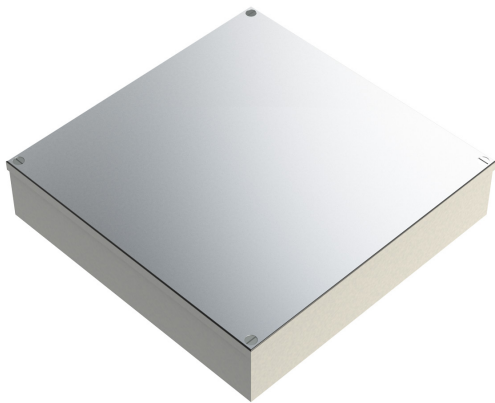
Galvanised Sheet Steel

PACKAGING

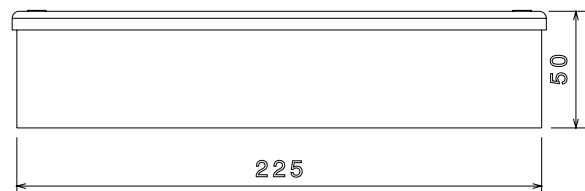
Packed in qty 2 (can be purchased individually)

ADDITIONAL NOTES

Comprises body, flanged cover and M5 x 10mm lid fixing screws
Plain sides (also available with pre-cut knockouts)
Compliant to LU Standard 1-085 (for use on surface & sub-surface locations)



Front view



Side view